

PUYUAN

- 全液压汽车起重机
Full Hydraulic Truck Crane
- QY35H



■ QY35H



主要特点 MAIN FEATURES

浦沅牌 QY35H(ZLJ5320JQZ35H) 型汽车起重机是全回转伸缩臂式液压汽车起重机，采用杭发 WD615.50 环保发动机，马力强劲，油耗低，噪音小，排放符合国家标准要求。

PUYUAN QY35H (ZLJ5320JQZ35H) truck crane is a type of hydraulic truck crane, It adopts hang fa WD615.50A environmental friendly protection engine with high horsepower, low oil consumption, low noise, emission accords with the requirements of national standard.

采用现代流线型风格的全驾驶室和操纵室，驾驶室内全覆盖软化内饰，配豪华仪表工作台、液压减震座椅，空调、暖风等，驾驶室宽敞舒适、上下方便，实现了人机完美结合。

The full-width mounted driver's cab and the operator's cab are streamline style. The driver's cab is equipped with soft decoration materials, luxury gauge, comfortable seat with hydraulic shock absorbing seats, air-conditioner and heater to provide the driver a comfortable environment and realize man and machine intergration.

上车操纵室前窗安装弧面玻璃，顶部、后部及两侧均配有视窗，视野开阔。

The full vision operator's cab is equipped with bowtype glass in front, windows on top, rear and two sides.

全覆盖走台板，外型美观，便于检测与维修。

The full covered deck with elegant appearane makes checking and maintainance convenient.

六边形四节主臂，强度高，受力合理，吊重稳定性好。装有第五支腿，伸出第五支腿时，可使起重机 360° 全方位作业。

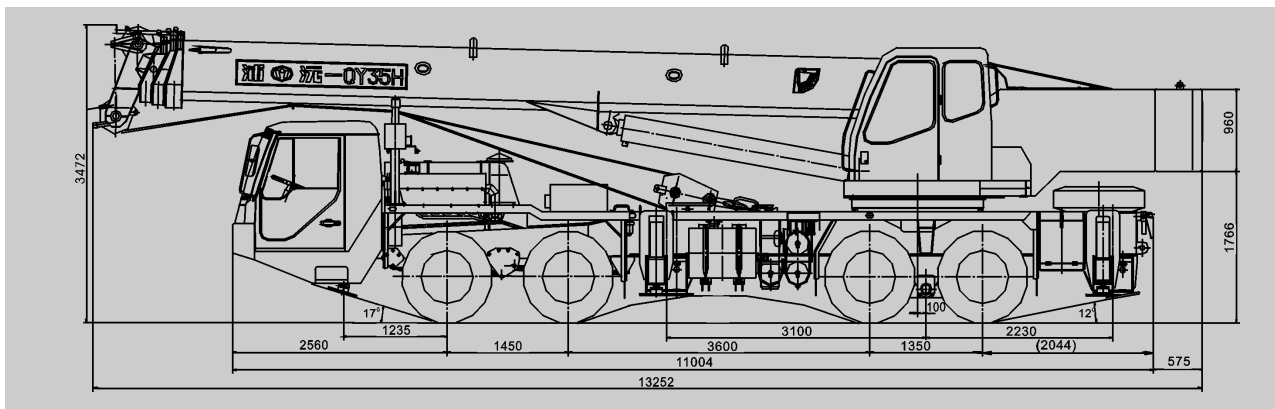
The hexagonal four-section boom is high strength and high stability. With the fifth outrigger, the lifting work can be done in 360° range.

卷扬、回转机构关键件均采用力士乐产品，主液压阀件采用集成化模块设计，液压损失小，故障率低，确保作业稳定可靠。

The main components of hoist system and slewing system are all the products of Rexroth. The main hydraulic valve is designed with intergration module style with tle feafures of low rate of malfunction.

配有力矩限制器、过卷、过放等安全装置，操作方便，安全可靠。

It is equipped with the safety devices, such as moment limiter, over-winding cut off device, over-lowering cut off device etc., to make the operation convenient, safe and reliable.



外形尺寸图 OVERALL DIMENSIONS

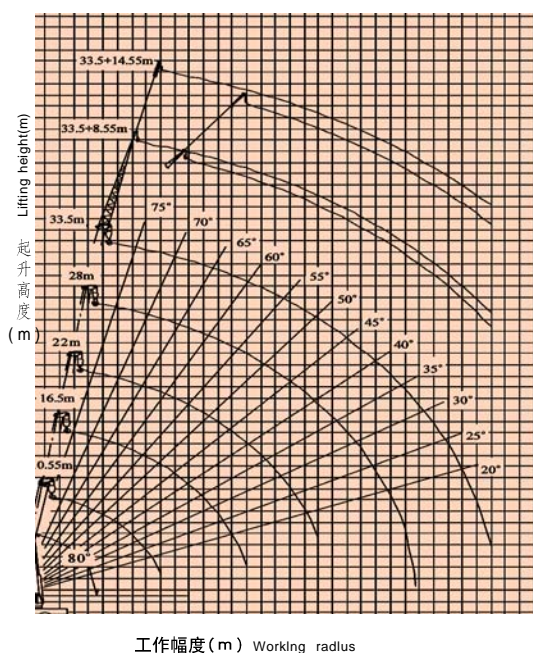
主要技术参数

Main technical specifications

项 目(ITEM)		单 位(UNIT)	数 值(DATA)
工作性能参数 WORKING PERFORMANCE SPECIFICATIONS	最大额定总起重量	MAX. RATED LIFTING CAPACITY	kg 35000
	基本臂最大起重力矩	MAX. LIFTING MOMENT WITH MIN. BOOM LENGTH	kN.m 1120
	最长主臂最大起重力矩	MAX. LIFTING MOMENT WITH MAX. BOOM LENGTH	kN.m 638
	主臂最大起升高度	BOOM MAX. LIFTING HEIGHT	m 34
	副臂最大起升高度	JIB MAX. LIFTING HEIGHT	m 48
工作速度 WORKING SPEED	单绳最大速度	SINGLE LINE MAX. SPEED	m/min 127
	起重臂伸出时间	LIFTING BOOM EXTENDING TIME	s 139
	起重臂起臂时间	LIFTING BOOM ELEVATING TIME	s 86
	回转速度	SLEWING SPEED	r/min 0-2.4
行驶参数 TRAVELLING SPECIFICATIONS	最高行驶速度	MAX. TRAVELLING SPEED	km/h 72
	最大爬坡度	MAX. GRADEABILITY	% 35
	最小转弯半径	MIN. TURNING RADIUS	m ≤ 12
	最小离地间隙	MIN. CLEARANCE	m 0.25
	接近角	APPROACH ANGLE	° 17
	离去角	ANGLE OF DEPARTURE	° 12
	自由加速烟度排放限值	ACCELERATE FREELY DUST DISPLACEMENT	FSN ≤ 2.5
质量参数 MASS SPECIFICATIONS	百公里油耗	OIL CONSUMPTION PER. 100 KILOMETERS	L 50
	行驶状态自重(总质量)	SELF-WEIGHT IN TRAVELLING CONDITION	kg 32400
	前轴轴荷	FRONT AXLE LOAD	kg 11630
尺寸参数 DIMENSION SPECIFICATIONS	后轴轴荷	REAR AXLE LOAD	kg 20770
	外形尺寸(长×宽×高)	OVERALL DIMENSIONS (L × W × H)	mm 13252 × 2500 × 3472
	支腿纵向跨距	OUTRIGGER LONGITUDINAL SPAN	m 5.33
	支腿横向跨距	OUTRIGGER TRANSVERSAL SPAN	m 6.02
	主臂长	BOOM LENGTH	m 10.55-33.5
	主臂仰角	BOOM ANGLE	° -2-80
底 盘 CHASSIS	副臂长	JIB LENGTH	m 8.55+6
	型号	TYPE	ZLJ5370
	发动机型号	ENGINE MODEL	杭发 WD615.50
	发动机功率	MAX. POWER OF ENGINE	kW/rpm 206/2200
	最大扭矩	MAX. TORQUE OF ENGINE	N.m/rpm 1160/1100-1600

起升高度曲线图

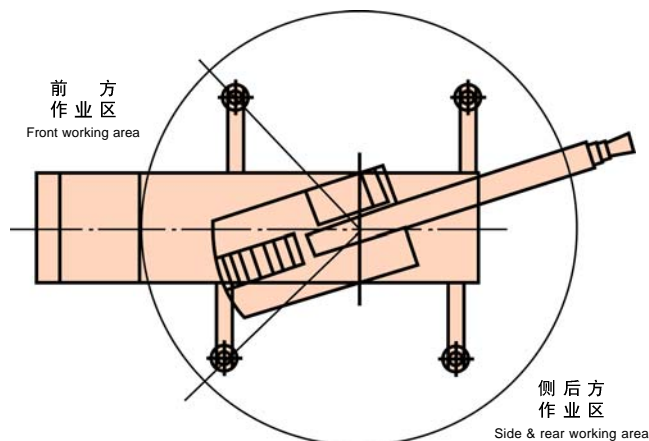
LIFTING HEIGHT CURVE DIAGRAM



钢丝绳倍率

WIRE ROPE FALL

臂长BOOM LENGTH(m)	10.55	10.55-16.5	16.5-22	22-28	28-33.5
倍率FALLS	10	8	6	4	3



起重作业方位图

WORKING AREA DIAGRAM

起重特性表

RATED LIFTING CAPACITY TABLE

单位(UNIT): kg

工作幅度 WORKING RADIUS(m)	主 臂 BOOM					主 臂 仰 角 WORKING RADIUS(°)	主臂+副臂 BOOM+JIB			
	支腿全伸、后方、侧方作业(打第五支腿全方位作业) REAR & SIDE WORKING AREA WITH OURTRIGGER FULLY EXTENDED						33.5+8.55m		33.5+14.55m	
	臂 长 BOOM LENGTH						副臂安装角 JIB OFFSET		副臂安装角 JIB OFFSET	
	10.55m	16.50m	22m	28m	33.5m		5°	30°	5°	30°
3.0	35000	24000				80°	3500	2000	1850	900
3.5	32000	24000				78°	3500	1900	1700	850
4.0	28000	24000	20000			76°	3500	1850	1650	820
4.5	24000	24000	19000			74°	3500	1800	1600	800
5.0	21000	20000	18000			72°	3300	1750	1600	770
5.5	18700	20000	17000	11500		70°	3100	1700	1500	750
6.0	16800	17600	16000	10800		68°	2900	1970	1400	730
6.5	15200	15800	15000	10300	9000	66°	2700	1900	1350	700
7.0	13800	14100	13500	9700	8500	64°	2300	1870	1250	700
8.0	11700	11300	11000	8700	7800	62°	2000	1800	1200	680
9.0	9300	9100	9000	7900	7000	60°	2000	1500	1100	670
10.0		7500	7600	7200	6200	58°	1700	1400	1050	660
11.0		6300	6400	6400	5800	56°	1500	1300	1000	650
12.0		5300	5500	5500	5300	54°	1200	1100	950	640
13.0		4500	4700	4800	4800	52°	1000	870	800	640
14.0		3800	4000	4200	4300	45°	650	500	430	400
15.0		3200	3500	3600	3800					
16.0			3000	3200	3300					
18.0			2300	2500	2500					
20.0			1800	1900	2000					
22.0				1400	1500					
24.0				1100	1150					
26.0				800	850					
28.0					570					

说明:

- 表中粗线以内数值为起重机强度所决定,粗线以外为起重机整机稳定所决定;
- 以上作业工况为支腿全伸,不允许在不打支腿的情况下吊重;
- 表中所给工作幅度,是指吊载后吊钩中心到回转中心的水平距离;
- 表中额定起重量包括吊钩重,(主吊钩重340kg,副吊钩重80kg);
- 当实际臂长和工作幅度在两数值之间时,应按较大臂长和幅度值确定起重量;
- 在副臂伸出的情况下使用主臂作业时,额定起重量不仅要扣除吊具的重量,还要扣除副臂自重2000kg;
- 吊钩的最小倍率(钢丝绳根数)应在单根钢丝绳的起重量不超过3500kg的范围加以决定,副臂的倍率为1。

NOTE:

- Capacity above the thick line in the table are based on the strength of the boom,the others,on the stability of the crane.Figures listed in the table are all maximum permissible values.Do not exceed them.
- Lifting without outriggers is not permissible.Capacity listed in the table is on the condition that crane is levelled on a firm ground.
- A working radius in the table is a horizontal distance from the centerline of the hookblock to the axis of the slewing ring when a load is lifted.
- Capacities given in the table include the weight of the hookblocks 340kg main hookblock and 80kg auxiliary hookblock).
- When actual boom length is between two values, determine lifting capacity according to bigger boom and radius.
- Rated lifting capacity should exclude the weight of clings and 2000kg,when the boom is used with jib extended.
- The min fall (the number of wire rope) should be determined when the lifting capacity of single wire rope doesn't exceed 3500kg. The fall of jib is 1.

中联重科浦沅分公司

地址:湖南省长沙市芙蓉中路二段613号
电话:0731-5667210
传真:0731-5582657
邮编:410007
网址:www.puyuan.com.cn

PUYUAN SUB-COMPANY OF ZOOMLION
HOLDING GROUP
ADD:NO.613 THE 3TH DISTRICT FURONG MIDDLE ROAD,
CHANGSHA, HUNAN
TEL: 0731-5667210
FAX: 0731-5582657
PC: 410007
HTTP://WWW.PUYUAN.COM.CN

营销部

销售热线:0731-5667230 5311766
服务热线:0731-5667004 8008786119
备件服务热线:0731-5667276
传真:0731-5585850
E-mail:sales@puyuan.com.cn

SALES DEPARTMENT

TEL:0731-5667230 5311766
SERVICE TEL:0731-5667004
SPARE PARTS SALE:8008786119 0731-5667276
FAX:0731-5585850
E-mail:sales@puyuan.com.cn

浦沅进出口有限公司

总部电话:0731-5667238
传真:0731-5591796
E-mail:pyiec@public.cs.hn.cn

CHANGSHA PUYUAN IMP. & EXP. CO., LTD.

HEAD OFFICE:0731-5667238
FAX: 0731-5591796
E-mail: export@puyuan.com.cn